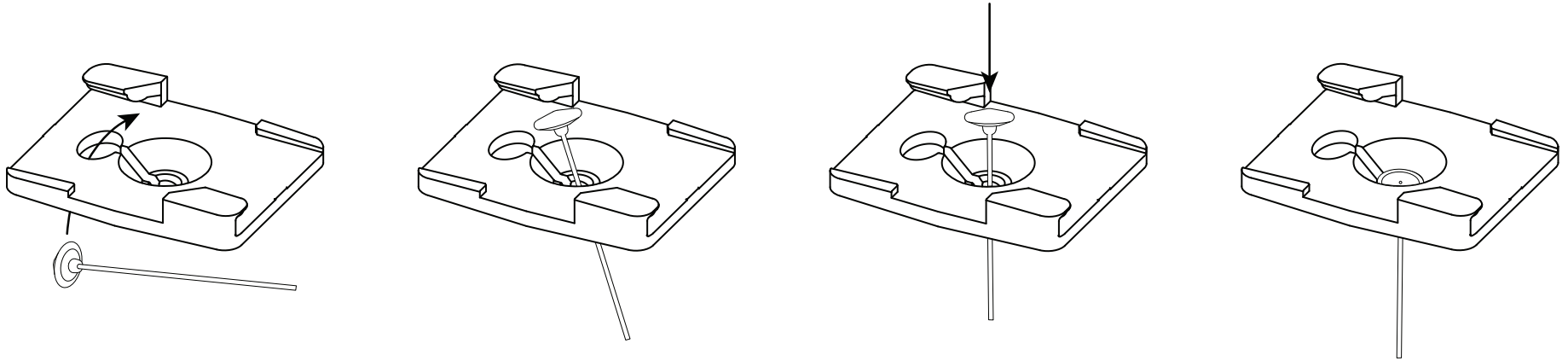
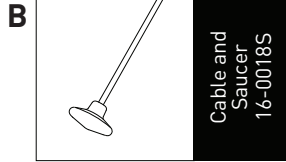
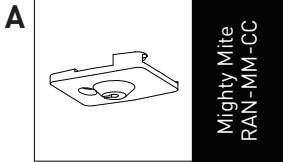


Mighty Mites with Saucer and Cable

Instruction Sheet



Apply pressure at
"gripping" corners.

