



A - (1) Left side miter-cut split rail



B- (1) Right side miter-cut split rail



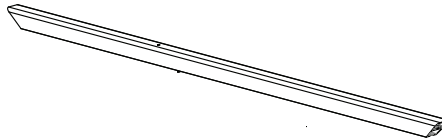
C- (2) Vertical 21.25\"/>



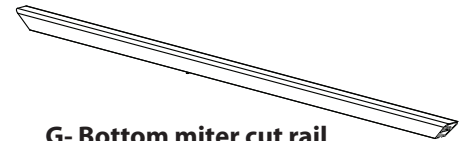
D- (2) Vertical 15.25\"/>



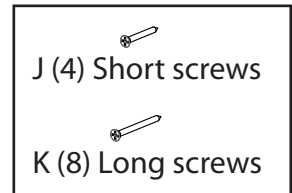
E- (2) Horizontal 51.81\"/>



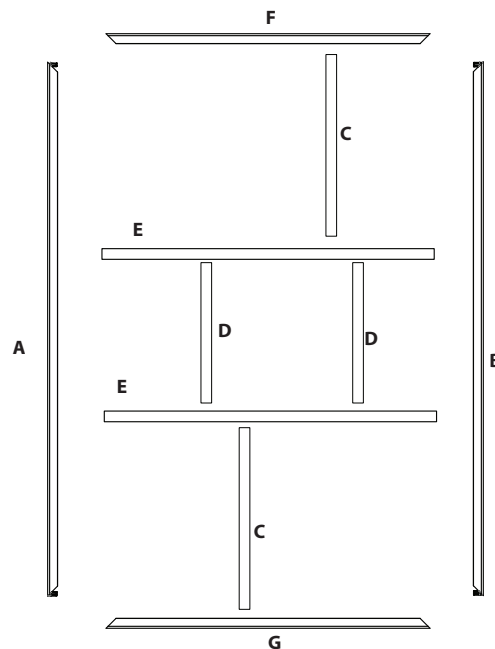
F-Top miter cut rail



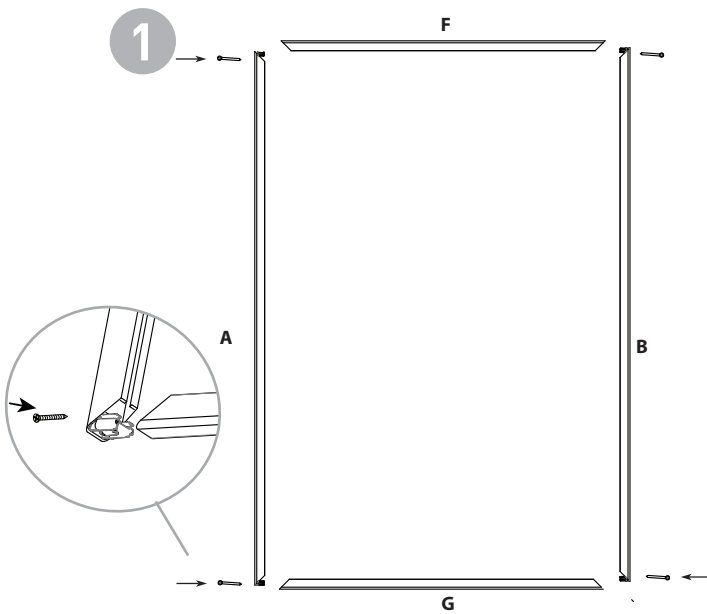
G- Bottom miter cut rail



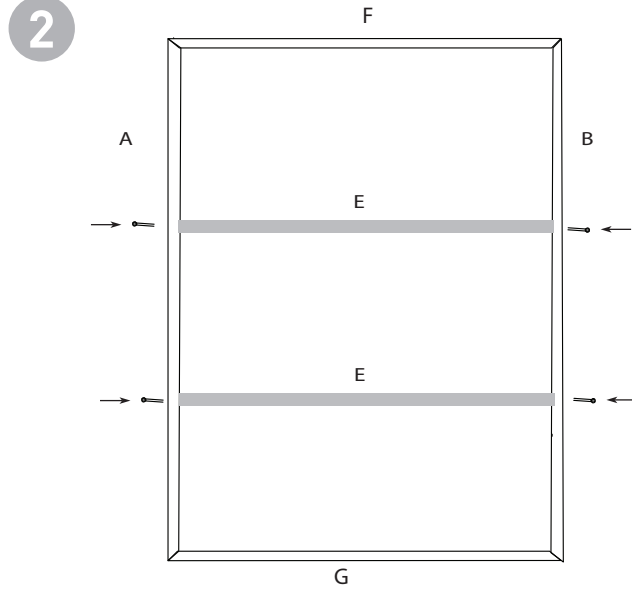
Layout Parts before assembly



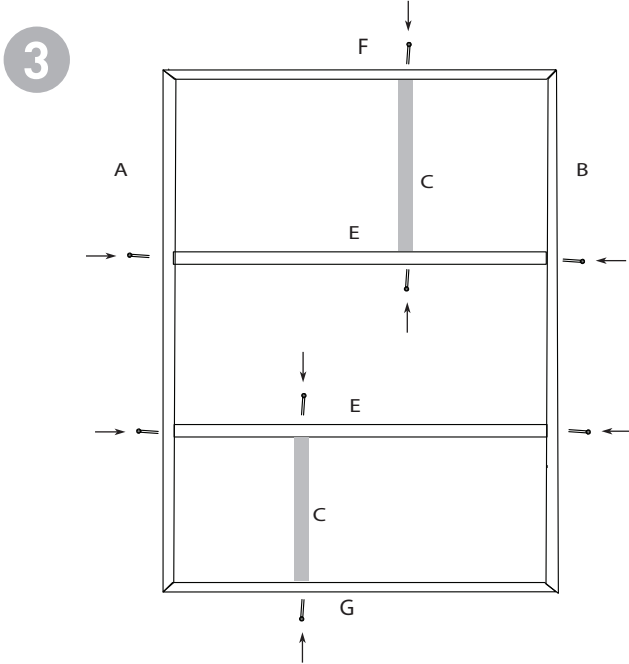
***Phillips head Screwdriver required for assembly**



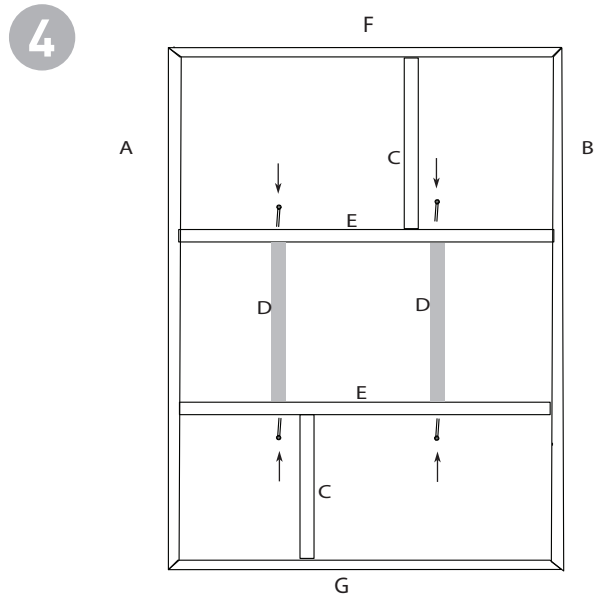
1. Connect corners of frame rails "A" to "F" and "A" to "G" with screw "J"
2. Repeat step to connect rail "B" to "F" and "G"



1. Attach double rails "E" to Rails "A" & "B"
Align hole in screw carriage to the center hole of the Solid rail "A" and connect to split rail "B"
Repeat for bottom rail.



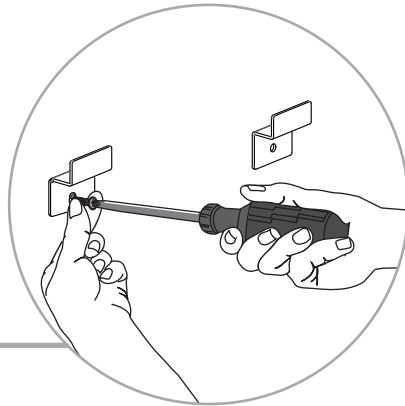
1. Attach the first vertical double rail "C" to Rails "F" & "E"
Attach the second vertical double rail "C" to Rails "E" & "G"



1. Attach Rails "D" to rails "E"

***Phillips head Screwdriver required for assembly**

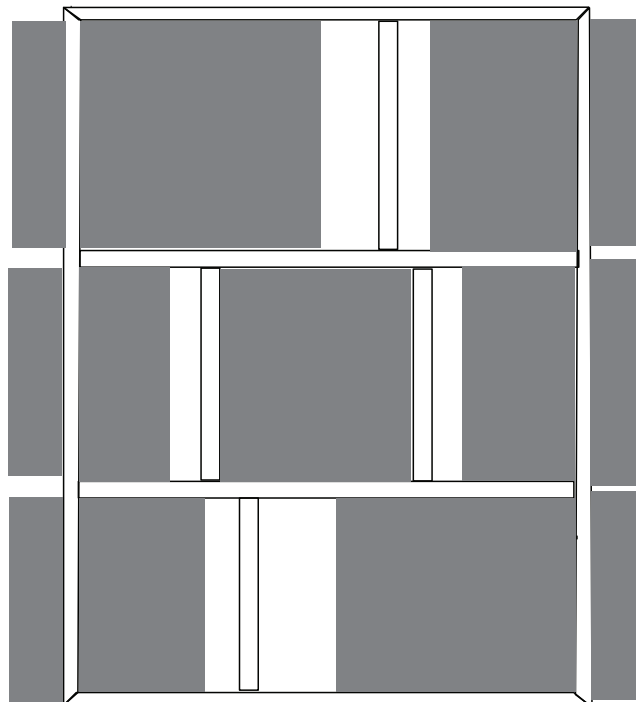
**How To
Mount
On Wall**



Mark and level before installing hangers.

Use Molly Anchors for drywall or other hollow surface installations (pre-drilling 3/16" holes is necessary).

After installing hangers, hang frame on the tabs.



Insert Graphics