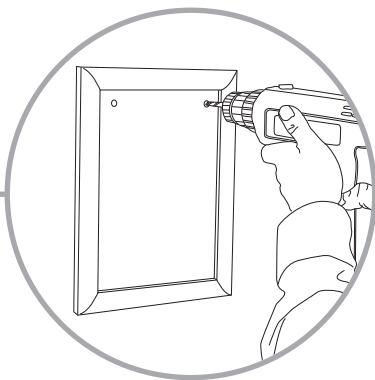


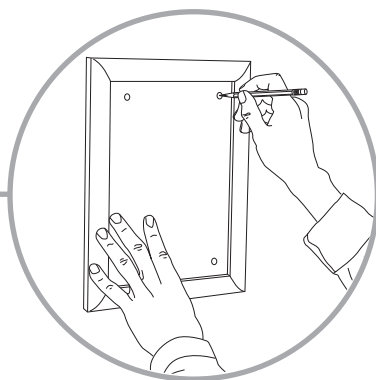


How To Mount Frame

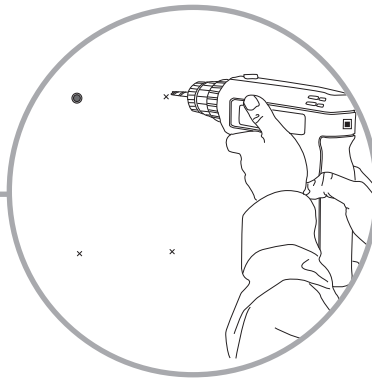


Use a 1/16" bit to drill a hole into each corner of backer board, approximately 1" down and 1" in from sides.

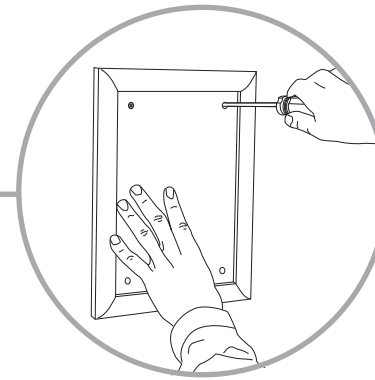
Frames larger than 60" in length need 6 screws.



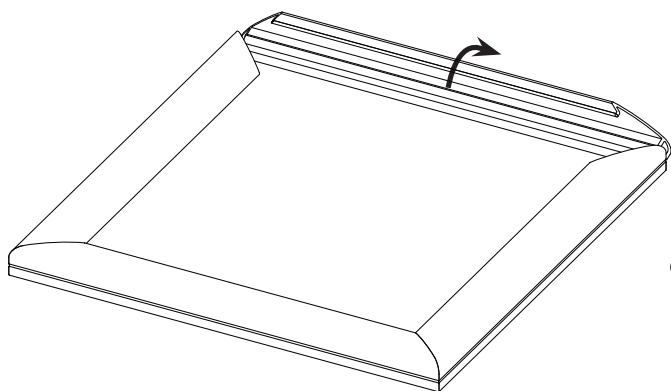
Place frame in desired position on wall, level, and mark.



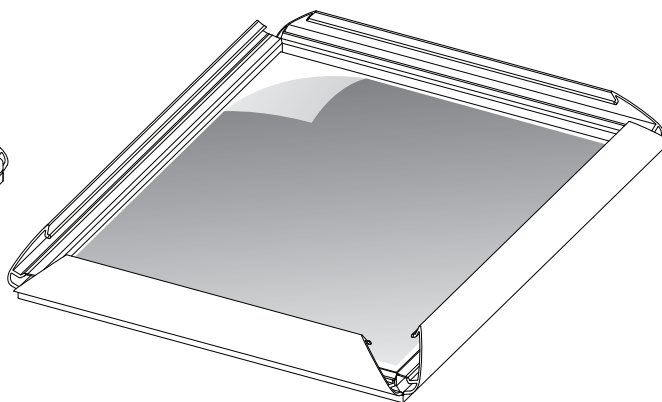
Use a 3/16" bit to drill holes and insert Molly Anchors.



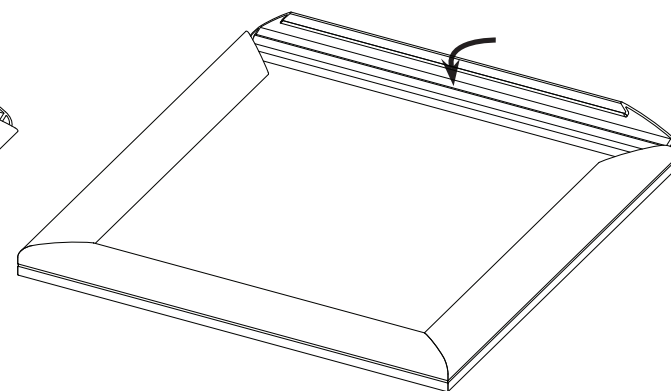
Screw frame into wall.



Open all rails.



Insert graphic.



Close all rails.