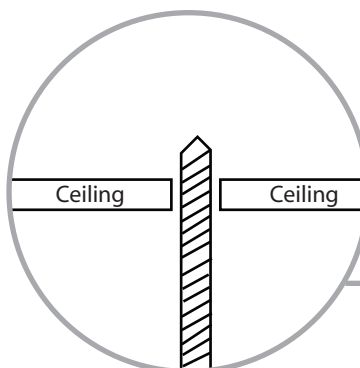


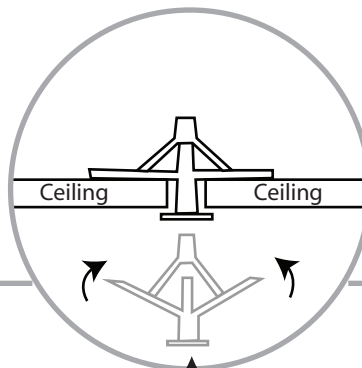
To put system up

•Use 7/16" drill for the anchor hole.

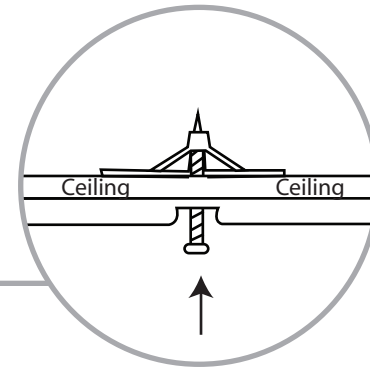
•Use 1/8" drill for pilot holes in wood when installing with wood screws.



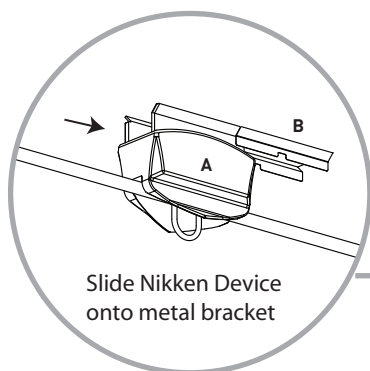
Drill hole for plaster anchor



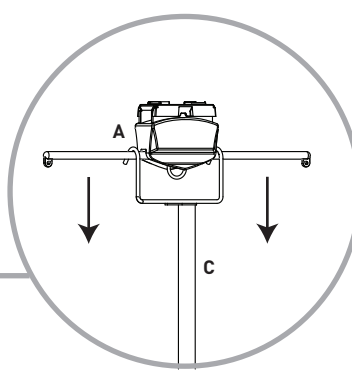
Squeeze anchor legs together and push through ceiling



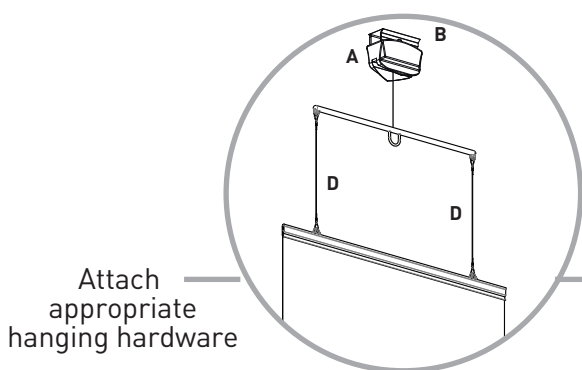
Attach Metal Bracket



Slide Nikken Device onto metal bracket

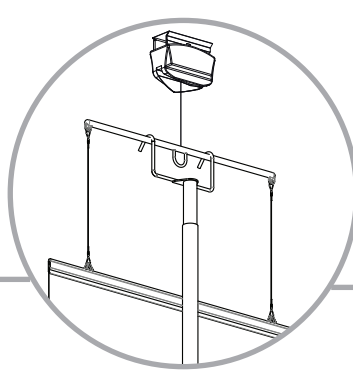


Pull hang bar down to attach sign.

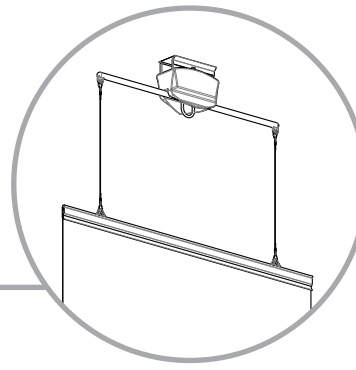


Attach appropriate hanging hardware

*Remove monofilament before attaching your cable.



Pull hang bar down slightly and release to allow hang bar to **retract up to the ceiling.** Always retract hang bar all the way up to the ceiling



Final View.