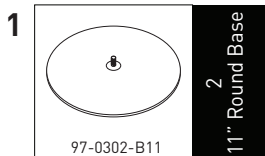


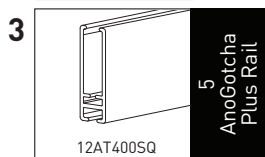
Assemble parts in numerical order.



2
11" Round Base



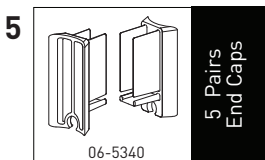
2
Vertical Poles



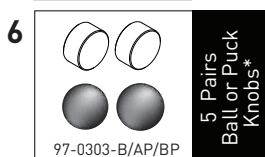
5
Anogotcha Plus Rail



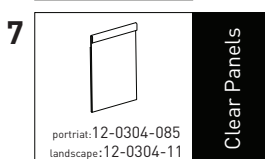
5
Threaded Rods



5 Pairs
End Caps

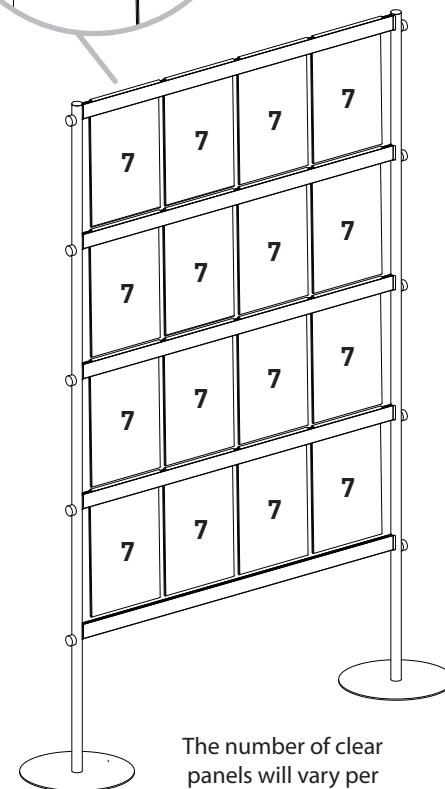
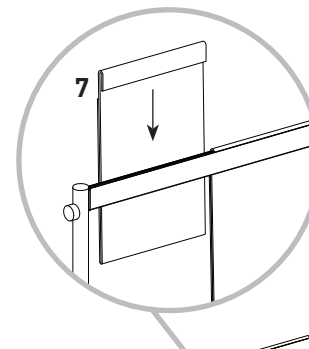
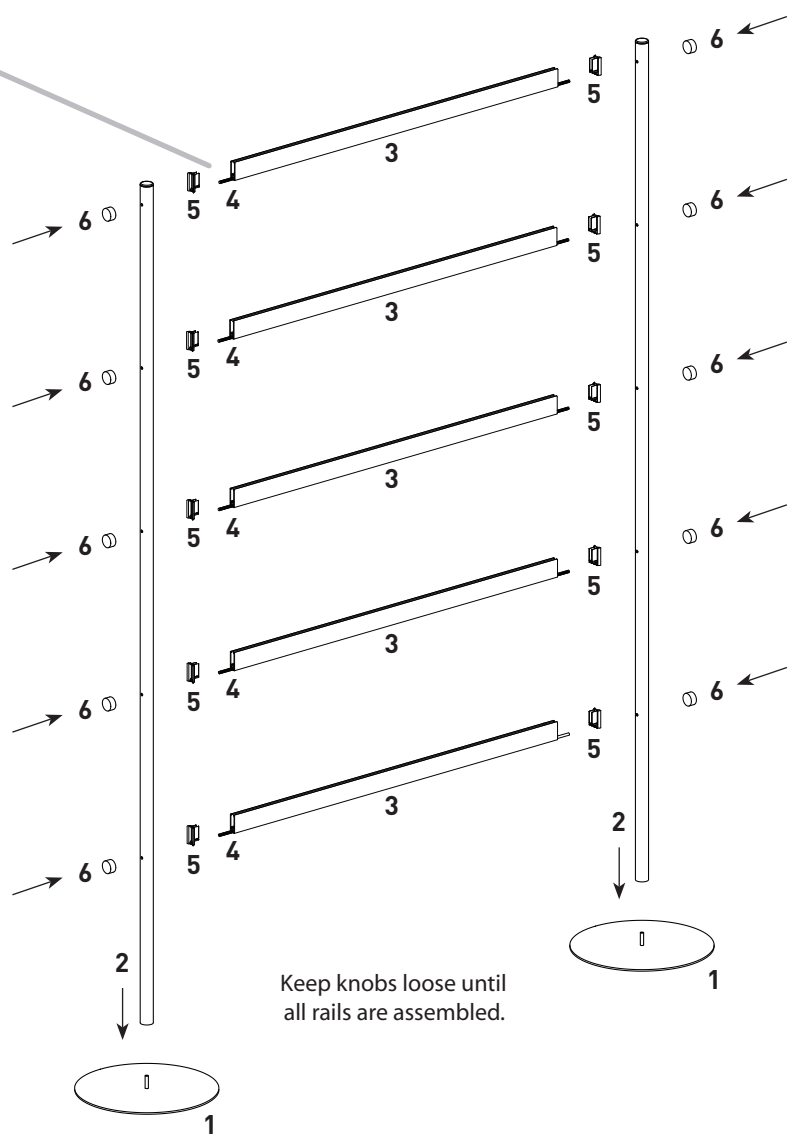
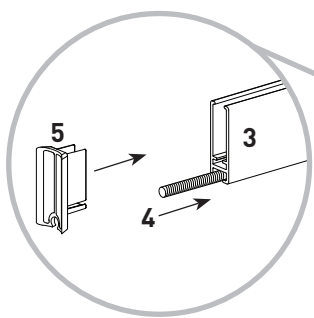


5 Pairs
Ball or Puck Knobs*



Clear Panels

* Same assembly for both ball and puck knobs



The number of clear panels will vary per application.