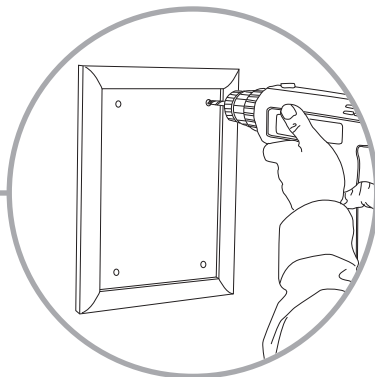
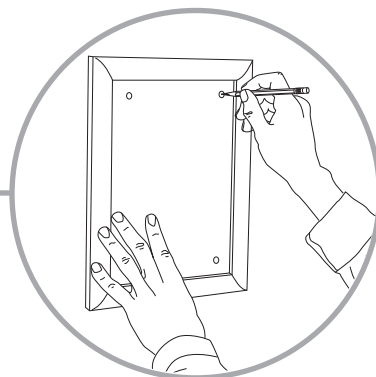


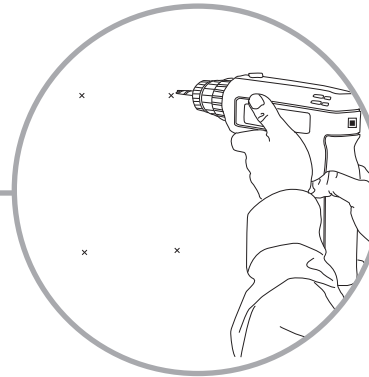
How To Mount Frame



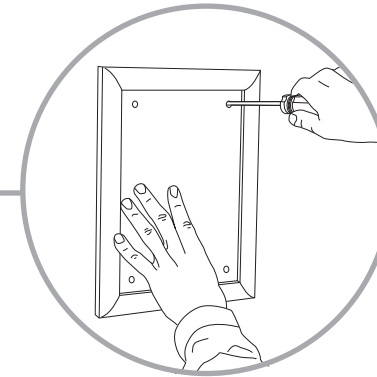
Use a 1/16" bit to drill a hole into each corner of backer board, 1" down and 1" in from sides. (Frames larger than 60" in length need 6 screws.)



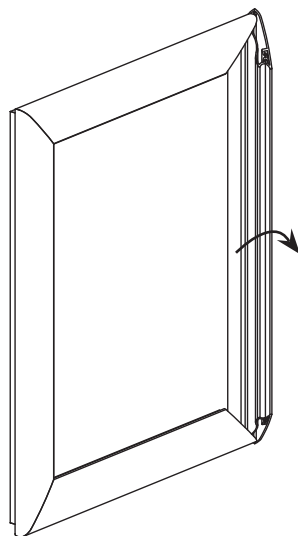
Place frame in desired position on wall, level, and mark.



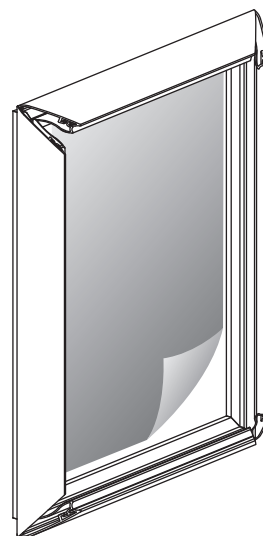
Use a 3/16" bit to drill holes.



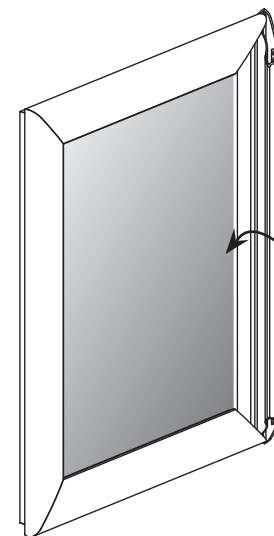
Screw frame into wall.



Open all rails.



Insert graphic.



Close all rails.

*Same assembly for both round and square profile.

FreedomFrame® is a registered trademark of Rose Displays, Ltd. Neither the manufacturer nor any sales agent may be held liable for injury, loss or damage resulting from the use of these products.

Part #06INSFreedomFrameWallMount

FreedomFrame Patent Numbers: 6,880,280; 7,076,899; 7,370,448