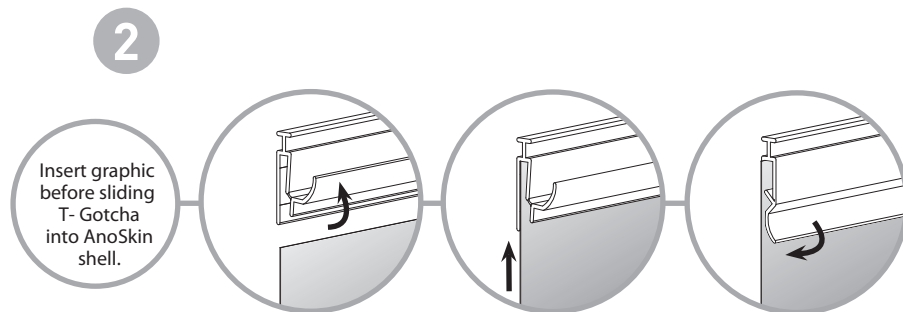


Insert one end cap, then slide the Skin into the front and back channels of the AnoSkin.



Note: It is easier to open and close the T-Gotcha by starting at one end and working your way down the holder.

