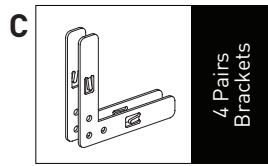
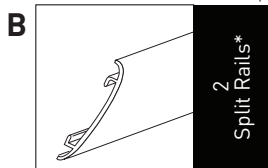
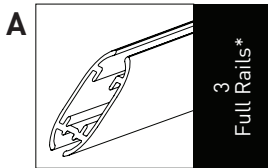
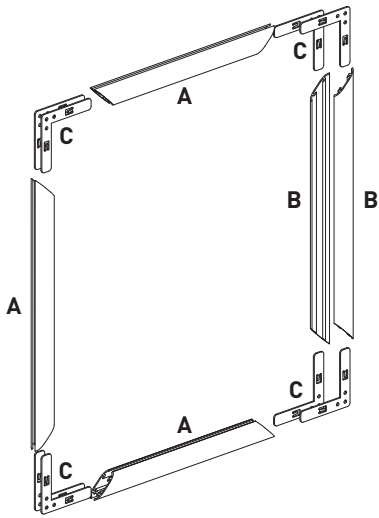
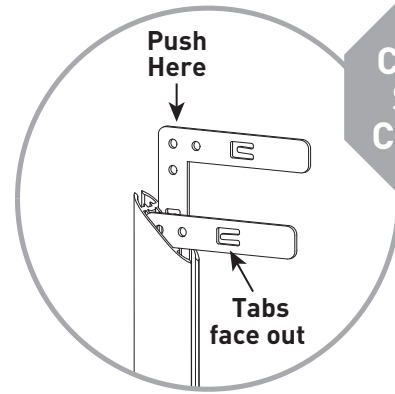
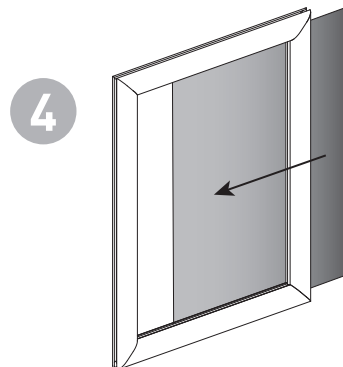
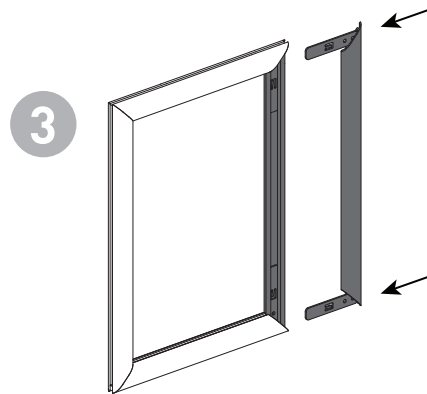
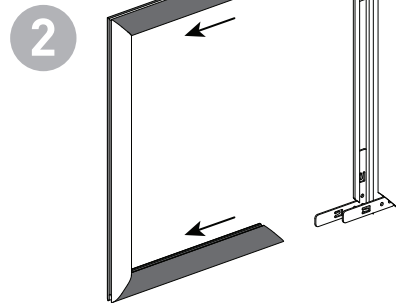
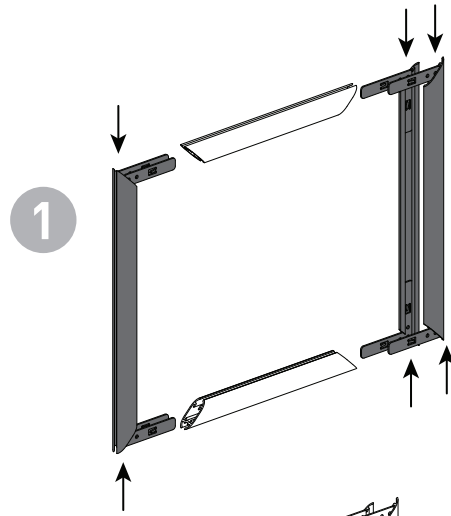


Layout parts before beginning assembly.



*Same assembly for both round and square profile.



Caution: Sharp Corners!

Push Here

Tabs face out