

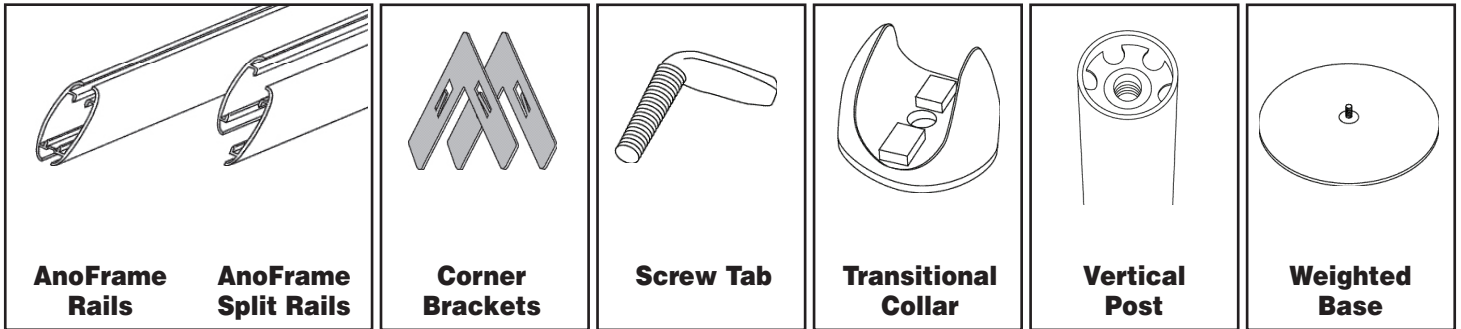
AnoFrame VersaMount™ Weighted Base

#97-0431

Another quality product from Rose Displays' Ano® line of products.

Parts

Instruction Sheet (page 1 of 2)



Instructions For Assembly

Step 1

Locate the two split rails and the solid rail that is the same length as the split rails.

Insert corner brackets into side Ano-Frame rails. Insert two corner brackets into each end of the solid side Ano rail. Insert one corner bracket into each end of each split side Ano rail.

Fig. 1 & Fig. 2

Note: Tension tabs on corner brackets face towards outside of frame.

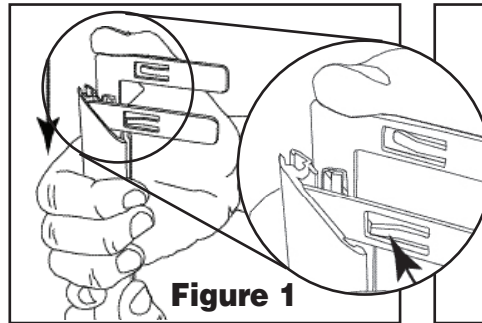


Figure 1

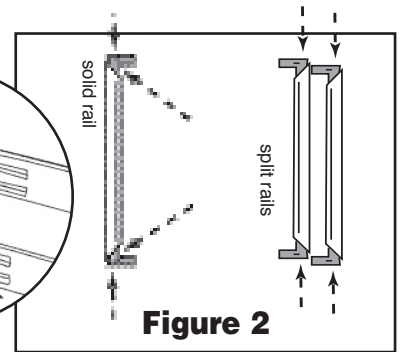


Figure 2

Step 2

Slide screw tab into channel of bottom Ano rail. Fig. 3.

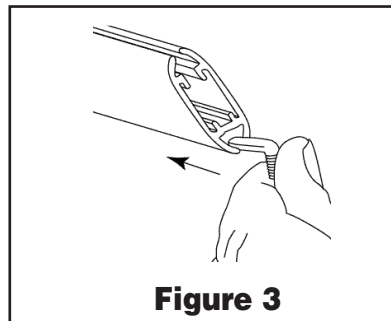


Figure 3

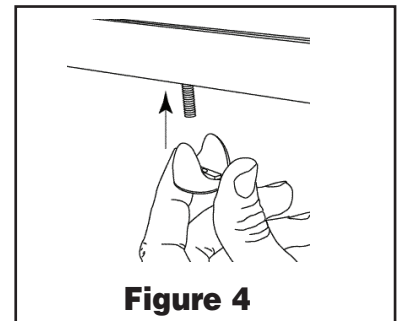


Figure 4

Step 3

Place transitional collar over screw tab and push onto frame. Fig. 4.

Step 4

Finish assembling frame following the sequence in Fig. 5.

Note: Placement of split rails will depend on type of frame. Split rails will be on the top for top-loading frames and on the side for side-loading frames.

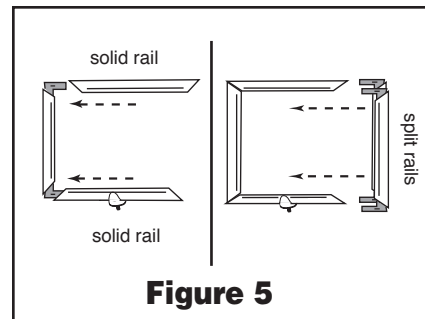


Figure 5

The AnoFrame VersaMount is a trademark and Ano is a registered trademark of Rose Displays, Ltd. Neither the manufacturer nor any sales agent may be held liable for injury, loss or damage resulting from the use of these products.

Part #02INSVersaMountRoundBase

Incept-9.6.02

rose displays

The Signware Specialists

35 Congress Street, Salem MA 01970

Tel# 1-800-631-9707 Fax# 1-800-560-2890

e-mail: signware@rosedisplays.com

AnoFrame VersaMount™ Weighted Base

#97-0431

Another quality product from Rose Displays' Ano® line of products.

Instruction Sheet (page 2 of 2)

Instructions For assembly

Step 5

Screw vertical post onto screw tab and tighten. Fig. 6

Note: Use the end of the post with the smaller opening.

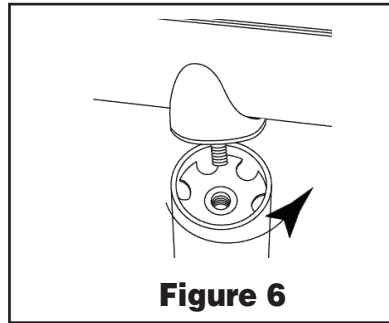


Figure 6

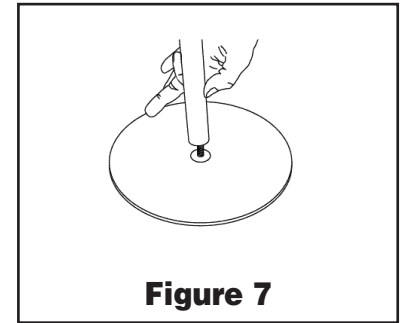


Figure 7

Step 6

Screw the vertical post onto the weighted base and tighten. Fig 7

Step 7

Slide your graphic into the AnoFrame. Fig. 8

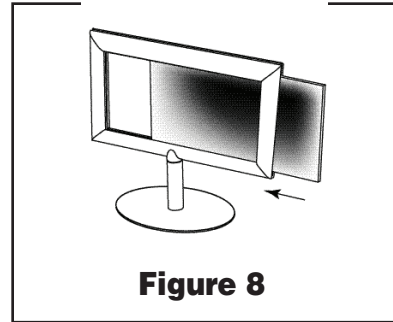
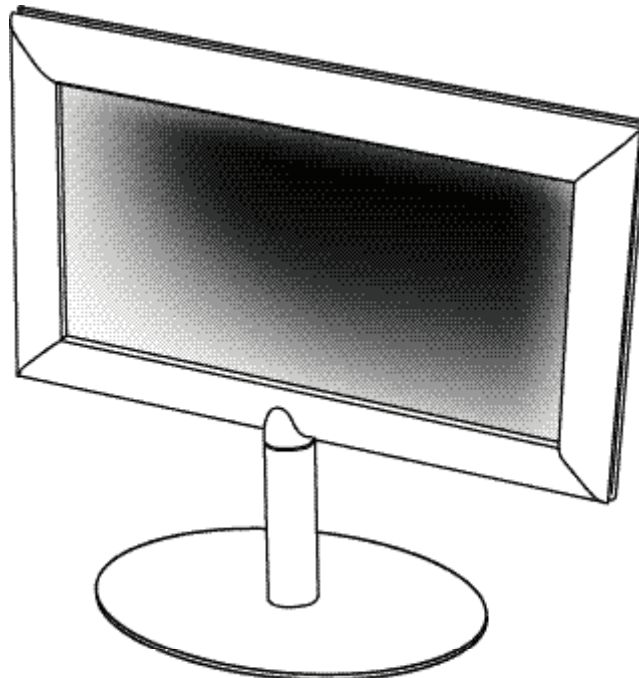


Figure 8



Finished Look

The AnoFrame VersaMount is a trademark and Ano is a registered trademark of Rose Displays, Ltd. Neither the manufacturer nor any sales agent may be held liable for injury, loss or damage resulting from the use of these products.

Part #02INSVersaMountRoundBase

Incept-9.6.02

rose displays

The Signware Specialists

35 Congress Street, Salem, MA 01970

Tel# 1-800-631-9707 Fax# 1-800-560-2890

e-mail: signware@rosedisplays.com